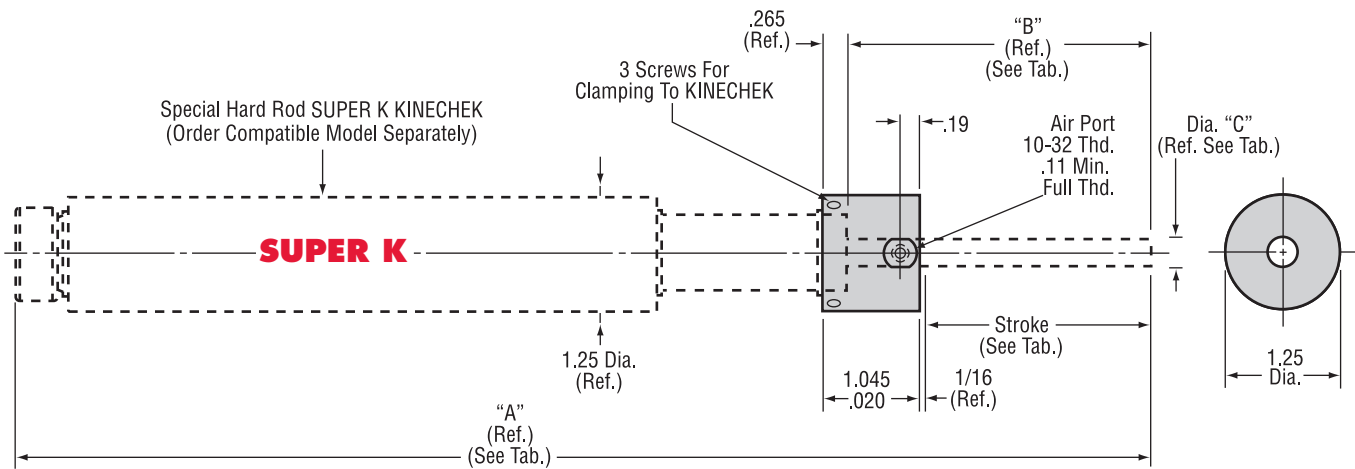
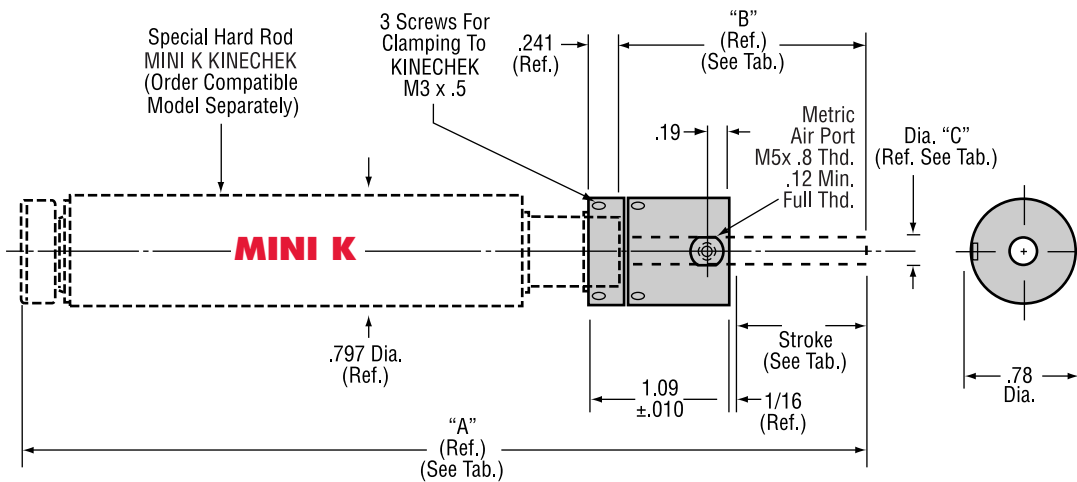


PECKCHEK CONTROL (FOR MINI K & SUPER K KINECHEKS)



NOTE: Drawings not to scale

A12019 (FOR 1, 1 1/4 & 1 1/2" STROKE MINI K KINECHEKS)

PECKCHEK	COMPATIBLE MINI K MODELS*				
PART NO.	MODEL NO.	STROKE	A	B	C
A12019	3222-19-1	1 in.	6.51	1.91	0.187
	3222-19-1 1/4	1 1/4 in.	7.37	2.16	0.187
	3222-19-1 1/2	1 1/2 in.	7.86	2.41	0.187

*Order Separately

A12131 (FOR 4" STROKE SUPER K KINECHEKS)

PECKCHEK	COMPATIBLE SUPER K MODEL *				
PART NO.	MODEL NO.	STROKE	A	B	C
A12131	5402-31-4	4 in.	14.69	4.84	.312

*Order Separately

A12137 (FOR 6" STROKE SUPER K KINECHEKS)

PECKCHEK	COMPATIBLE SUPER K MODEL *				
PART NO.	MODEL NO.	STROKE	A	B	C
A12137	5402-37-6	6 in.	19.93	6.84	.375

*Order Separately

NOTES



OPERATION-Application of 25 to 125 psi air pressure will release clutch and extend plunger to ready KINECHEK for next operation. Maintain air pressure until plunger rod has extended. Remove air pressure for PECKCHEK operation and KINECHEK plunger rod will not extend during periodic withdrawals of tool for chip clearing.



CAUTION-PECKCHEK CONTROL P/N(s) A12019, A12131, and A12137 must be operated only with a special KINECHEK which incorporates a specially hardened and polished plunger rod. Dimensions and performance for special KINECHEK Model 3222-tab and 5402-tab are the same as shown in bulletin S-66 for the Mini K Model 3022 and Super K Model 5002 of the same stroke length except that the plunger rod is longer per tabulated Dim. "B".

DESCHNER CORPORATION

3211 West Harvard Street
Santa Ana, California 92704

Telephone: (714) 557-1261

Toll Free: 1-(800) 457-6666 Fax: (714) 557-4762

Email: info@deschner.com Web: www.deschner.com

